

EM90017x machine light series

LED machine light, white light, 5000K, 22-28V DC, M8 connector 3-pin, IP67, aluminum+acrylic glass



Increased resistance to cooling lubricants Compact design

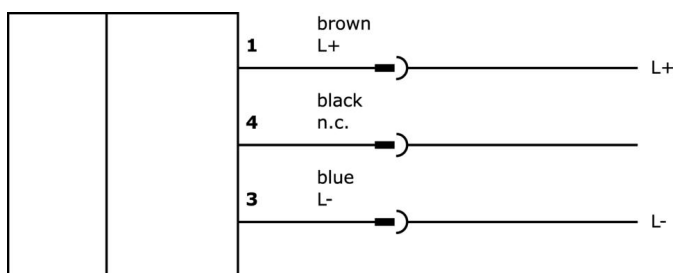
These extremely resilient lights offer the optimum combination of brightness, power, design and degree of protection. As they are resistant to the most common coolants and lubricants, they can be used in harsh environments.

Article No.	EM900170	EM900171
ardSOCA_Abmessungen	90x32x14mm	155x32x14mm
ardSOCA_Betriebsspannung	22-28VDC	
Rated operating current	167 mA	334 mA
Housing material	Aluminum	
Ambient temperature	-10 - 40 °C	-20 - 40 °C
ardSOCA_ElektrischerAnschluss	M8 3-pin plug connector	

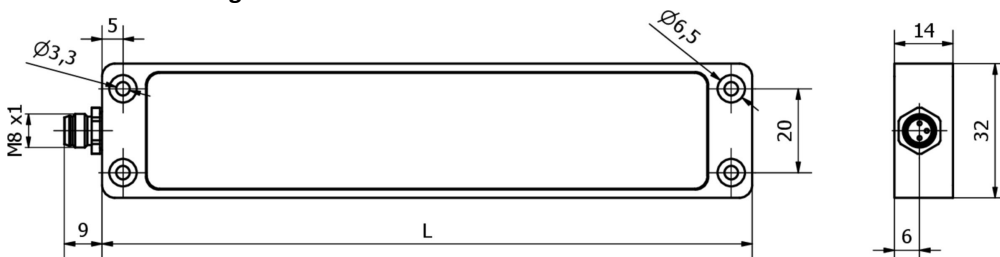
Important notes

/ This item generates heat, which has a direct impact on its service life. Temperature generation can be reduced by mounting on a heat conducting surface.

Connection

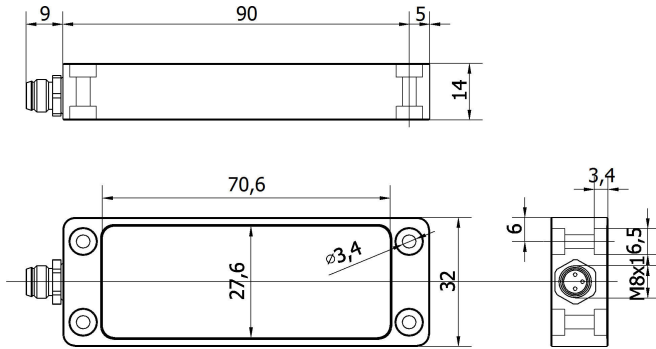


Dimensional drawing

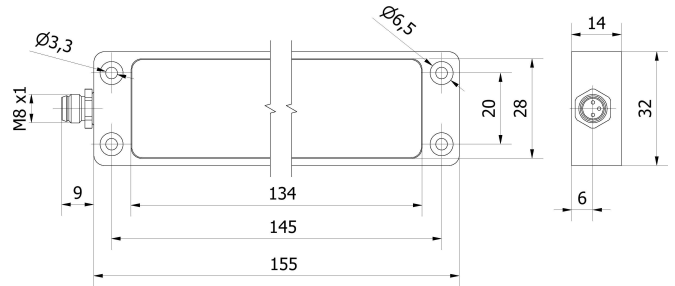


Article No.	L
EM900170	90 mm
EM900171	155 mm

Dimensional drawing EM900170



Dimensional drawing EM900171



Extract accessories program

NG400501



DC power supply, 1-phase, 125x114x40mm, 24-28V, 5A, 90-264V AC 50Hz, 90-264V AC 60Hz, 127-370V DC, screw connection, IP20, aluminum, stabilized, pulsed output voltage

VY062174



Switch, 0.6m, M8 Female (socket) 3pin Straight, M8 Male (connector) 3pin Straight, 3x0.34mm², PUR (Polyurethane), Ø4.3mm, 60V, IP20

VK030F80



Connection cable, 0.3m, M8 socket 3-pin angular, M12 connector 3-pin straight, 3x0.34mm², PUR (polyurethane), 60V, IP67, suitable for trailing chain and torsion resistant, oils and cooling lubricants, welding area, silicone-free

VK030F84



Connection cable, 0.3m, M8 socket 3-pin straight, M12 connector 3-pin straight, 3x0.34mm², PUR (polyurethane), 60V, IP67, suitable for trailing chain and torsion resistant, oils and cooling lubricants, welding area, silicone-free

VK030F70



Connection cable, 0.3m, M8 socket 3-pin angular, M8 connector 3-pin straight, 3x0.34mm², PUR (polyurethane), 60V, IP67, suitable for trailing chain and torsion resistant, oils and cooling lubricants, welding area, silicone-free

VK030F74



Connection cable, 0.3m, M8 socket 3-pin straight, M8 connector 3-pin straight, 3x0.34mm², PUR (polyurethane), 60V, IP67, suitable for trailing chain and torsion resistant, oils and cooling lubricants, welding area, silicone-free

VK200071



Connection cable, 2m, M8 Female (socket) 3pin Angular, Free conductor end, 3x0.34mm², PUR (Polyurethane), Ø4.3mm, 60V, -40-90°C, IP67, TPU, Suitable for trailing chain and torsion resistant, Oil and cooling lubricants, Welding area, Silicone-free

VK200075



Connection cable, 2m, M8 female (socket) 3pin Straight, free conductor end, 3x0.34mm², PUR (Polyurethane), Ø4.3mm, 60V, -30-90°C, IP67, suitable for trailing chain and torsion resistant, oil and cooling lubricants, welding area, Silicone-free

VK003070



Cable socket, Angular, Suitable for self-assembly, Soldering connection, Ø3.5-5mm, 4A, 60V, -40-85°C, M8 Female (socket) 3pin, IP67, Brass

You can find further accessories on our homepage



Installation

Mounting / installation may only be carried out by a qualified electrician!



Disposal

WEEE number according to § 6 para. 3 ElektroG: 40951076

Safety warnings

- /** Before initial operation, please make sure to follow all safety instructions that may be provided in the product information.
- /** Never use these devices in applications where the safety of a person depends on their functionality.
- /** LED lighting systems can generate intensive UV radiation, which can damage your eyes in case of improper use. The manufacturer cannot be held responsible for damages that result from improper use or connection.